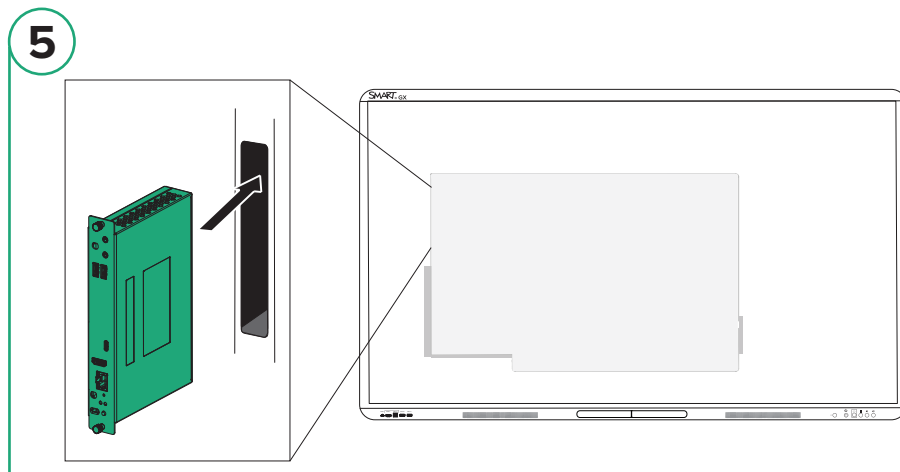
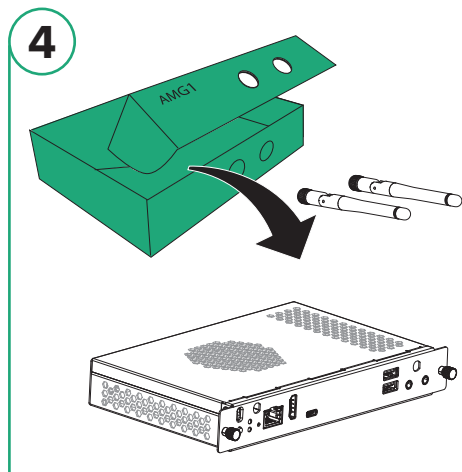
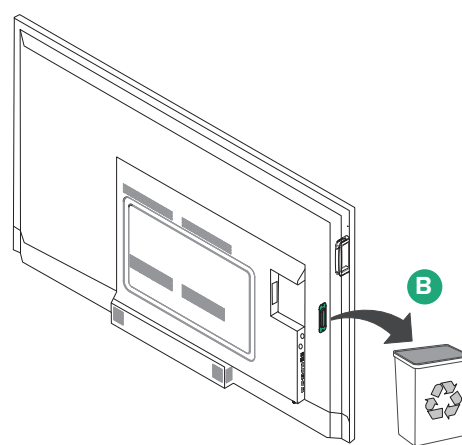
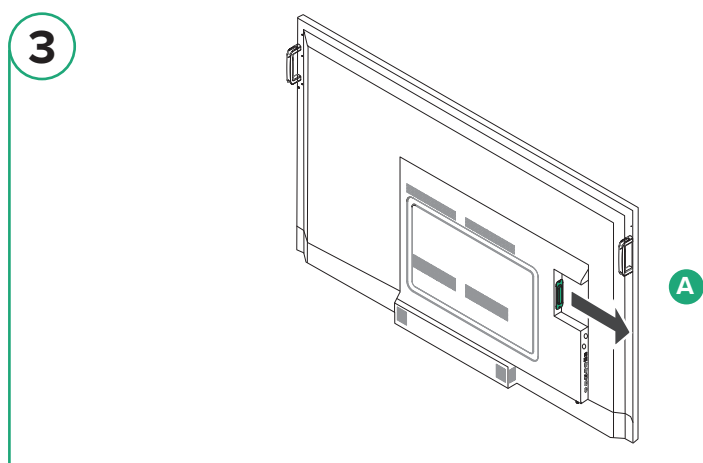
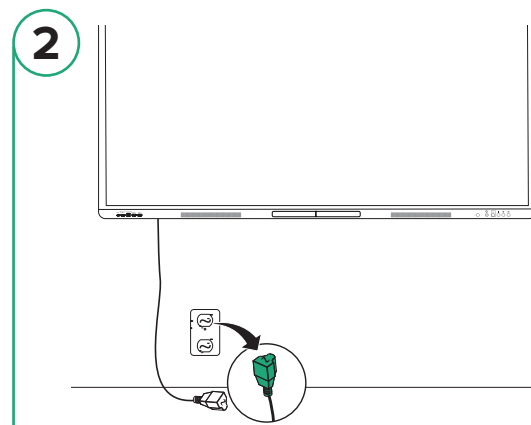
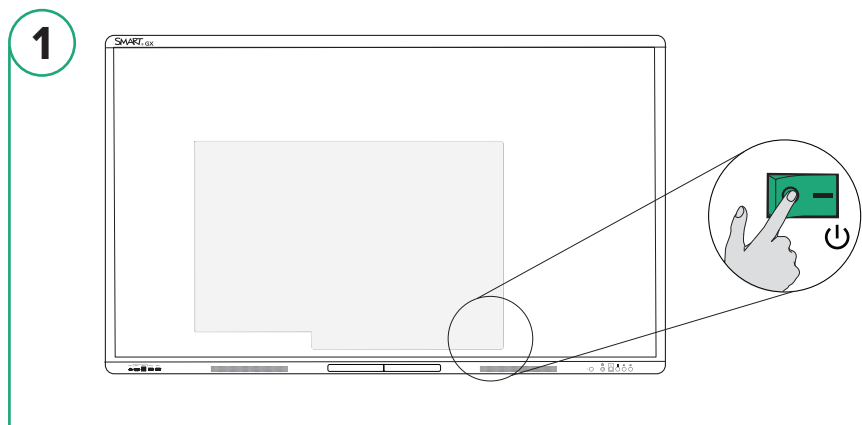
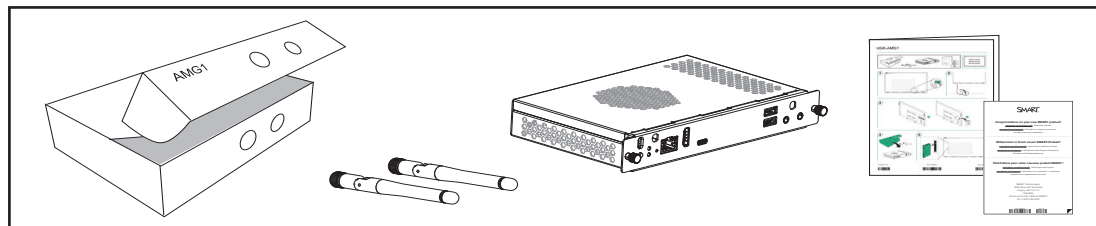
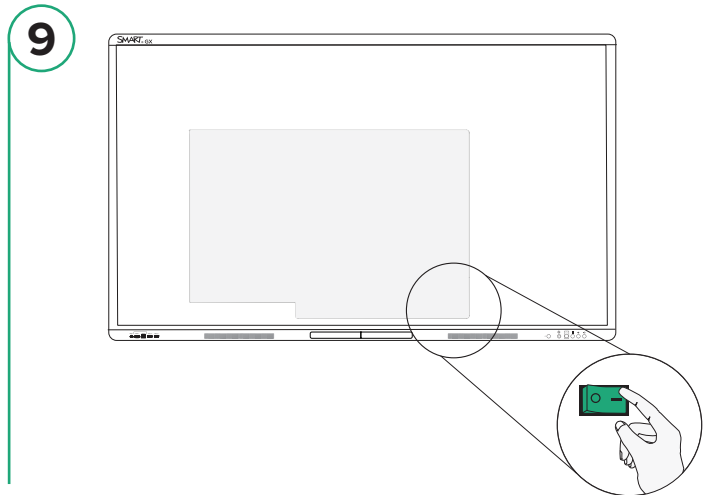
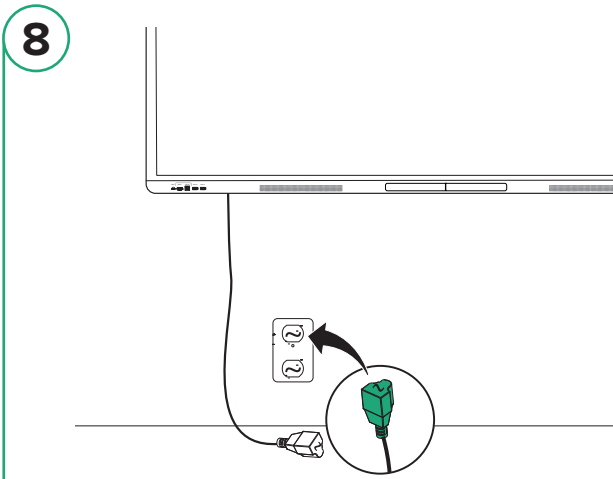
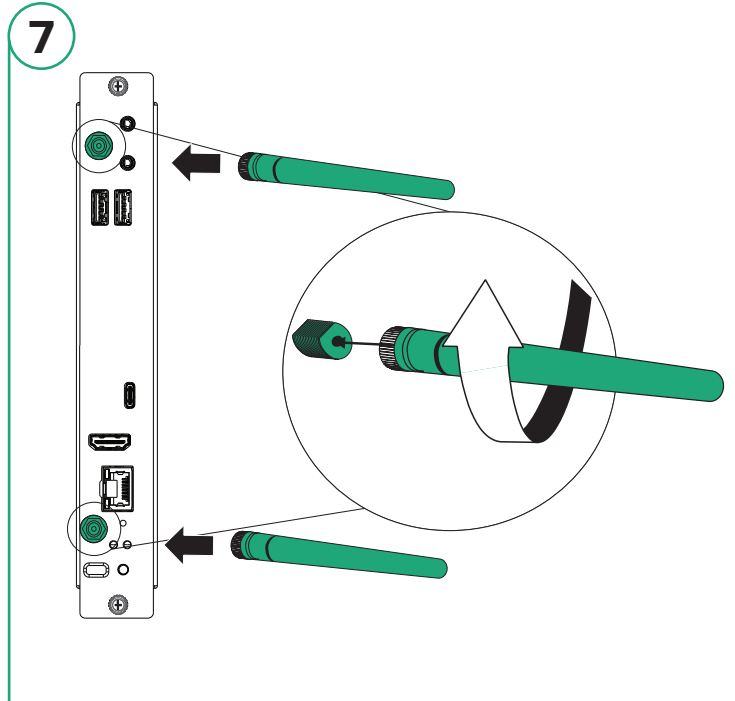
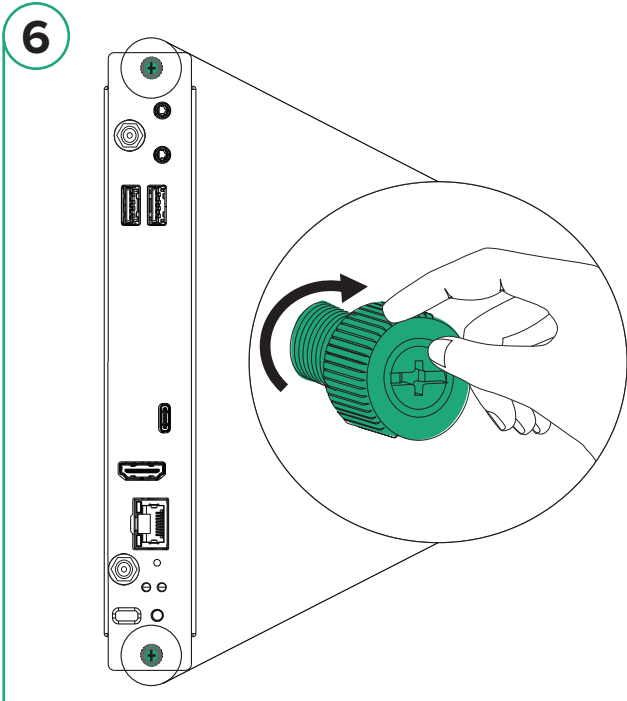


UGK-AMG1





[Installation and maintenance guide](#)



SMART®



The terms HDMI, HDMI High-Definition Multimedia Interface, HDMI trade dress and the HDMI Logos are trademarks or registered trademarks of HDMI Licensing Administrator, Inc.

For the purposes of certification, the AMG1 is identified as model CM-6.

Federal Communication Commission interference statement

This device complies with Part 15 of the FCC Rules. Operation is subject to the following two conditions:

- (1) This device may not cause harmful interference, and
- (2) this device must accept any interference received, including interference that may cause undesired operation.

This equipment has been tested and found to comply with the limits for a Class A digital device, pursuant to part 15 of the FCC Rules. These limits are designed to provide reasonable protection against harmful interference when the equipment is operated in a commercial environment. This equipment generates, uses, and can radiate radio frequency energy and, if not installed and used in accordance with the instruction manual, may cause harmful interference to radio communications. Operation of this equipment in a residential area is likely to cause harmful interference in which case the user will be required to correct the interference at his own expense.

FCC Caution: Any changes or modifications not expressly approved by the party responsible for compliance could void the user's authority to operate this equipment.

Radiation Exposure Statement:

This equipment complies with FCC radiation exposure limits set forth for an uncontrolled environment. This equipment should be installed and operated with minimum distance of 20 cm between the antenna and all persons.

NOTE: This product has been configured to operate according to the FCC rules in the US.

This transmitter must not be co-located or operating in conjunction with any other antenna or transmitter.

Caution:

- (i) the device for operation in the band 5150-5250 MHz is only for indoor use to reduce the potential for harmful interference to co-channel mobile satellite systems;
 - (ii) the maximum antenna gain permitted for devices in the bands 5250-5350 MHz and 5470-5725 MHz shall comply with the e.i.r.p. limit; and
 - (iii) the maximum antenna gain permitted for devices in the band 5725-5825 MHz shall comply with the e.i.r.p. limits specified for point-to-point and non point-to-point operation as appropriate.
 - (iv) Users should also be advised that high-power radars are allocated as primary users (i.e. priority users) of the bands 5250-5350 MHz and 5650-5850 MHz and that these radars could cause interference and/or damage to LE-LAN devices.
- Operation in the 5925-7125 MHz band shall be limited to indoor use only.
 - Operation on oil platforms, automobiles, trains, maritime vessels and aircraft shall be prohibited except for on large aircraft flying above 3,048 m (10,000 ft).
 - Devices shall not be used for control of or communications with unmanned aircraft systems.

Innovation, Science and Economic Development Canada:

This device complies with RSS-247 and RSS-248 of the ISED rules. Operation is subject to the following two conditions: (1) This device may not cause harmful interference, and (2) this device must accept any interference received, including interference that may cause undesired operation.

Cet appareil est conforme à la norme ISED CNR-247 et CNR-248 pour les appareils radio agréés. Son fonctionnement est sujet aux deux conditions suivantes: (1) le dispositif ne doit pas produire de brouillage préjudiciable, et (2) ce dispositif doit accepter tout brouillage reçu, y compris un brouillage susceptible de provoquer un fonctionnement indésirable.

Radiation Exposure Statement:

This equipment complies with ISED radiation exposure limits set forth for an uncontrolled environment. This equipment should be installed and operated with a minimum distance of 20 cm between the antenna and all persons.

Déclaration d'exposition aux radiations:

Cet équipement est conforme aux limites d'exposition aux rayonnements ISED établies pour un environnement non contrôlé. Cet équipement doit être installé et utilisé avec un minimum de 20 cm de distance entre la source de rayonnement et votre corps.

Avertissement:

Le guide d'utilisation des dispositifs pour réseaux locaux doit inclure des instructions précises sur les restrictions susmentionnées, notamment :

- (i) les dispositifs fonctionnant dans la bande 5 150-5 250 MHz sont réservés uniquement pour une utilisation à l'intérieur afin de réduire les risques de brouillage préjudiciable aux systèmes de satellites mobiles utilisant les mêmes canaux;
 - (ii) le gain maximal d'antenne permis pour les dispositifs utilisant les bandes 5 250-5 350 MHz et 5 470-5 725 MHz doit se conformer à la limite de p.i.r.e.;
 - (iii) le gain maximal d'antenne permis (pour les dispositifs utilisant la bande 5 725-5 825 MHz) doit se conformer à la limite de p.i.r.e. spécifiée pour l'exploitation point à point et non point à point, selon le cas.
 - (iv) De plus, les utilisateurs devraient aussi être avisés que les utilisateurs de radars de haute puissance sont désignés utilisateurs principaux (c.-à-d., qu'ils ont la priorité) pour les bandes 5 250-5 350 MHz et 5 650-5 850 MHz et que ces radars pourraient causer du brouillage et/ou des dommages aux dispositifs LAN-EL.
- Les opérations dans la bande 5 925-7 125 MHz doivent être limitées à une utilisation en intérieur.
 - L'utilisation sur les plates-formes énergétiques, les autos, les train, les vaisseaux navigateurs et les avions sera interdite, sauf sur les gros appareils volant au-dessus de 3 048 m (10 000 pieds).
 - Ces appareils ne doivent pas être utilisés pour contrôler des systèmes de navigation sans pilote ou pour communiquer avec eux.

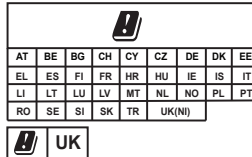
EUROPE

EU and UK Declaration of Conformity

Hereby, SMART Technologies ULC declares that the radio equipment type OPS Appliance, regulatory model: CM-6 complies with Directive 2014/53/EU and UK Radio Equipment Regulations 2017. The full text of the EU and UK declaration of conformity is available at the following internet address: www.smarttech.com/compliance

The frequency band and the maximum transmitted power are:

- 2400 MHz - 2483.5 MHz: 19.5 dBm (EIRP)
- 5150 MHz - 5350 MHz: 19.7 dBm (EIRP)
- 5470 MHz - 5725 MHz: 19.3 dBm (EIRP)
- 5725 MHz - 5825 MHz: 13.3 dBm (EIRP)
- 5925 MHz - 6425 MHz: 18.9 dBm (EIRP)



Restrictions: 5150 MHz - 5350 MHz and 5925 MHz - 6425 MHz are for indoor use only.

Class A products for EU: This product is intended for use in a non-residential environment. The product does not have AM/FM broadcast receiver function.

Caution: Exposure to Radio Frequency Radiation This equipment complies with EU radiation exposure limits set forth for an uncontrolled environment. This equipment should be installed and operated with minimum distance 20 cm between the radiator and your body.

EU
SMART Technologies (Germany),
Gustav-Heinemann-Ufer, 72 c
50968 Köln, Germany

UK
SMART Technologies (GB) Limited,
Scott House, Suite 1
The Concourse, Waterloo Station,
London, United Kingdom SE1 7LY

Hardware environmental compliance

SMART Technologies supports global efforts to ensure that electronic equipment is manufactured, sold and disposed of in a safe and environmentally friendly manner.

Waste Electrical and Electronic Equipment and Battery regulations (WEEE and Battery Directives)

Electrical and electronic equipment and batteries contain substances that can be harmful to the environment and to human health. The crossed-out wheeled bin symbol indicates that products should be disposed of in the appropriate recycling stream and not as regular waste. See smarttech.com/compliance for more information.

Batteries The product contains a CR-1220 battery. Recycle or dispose of batteries properly.

Perchlorate material Battery contains perchlorate material. Special handling may apply. See dts.ca.gov/hazardouswaste/perchlorate.

The product may contain substances that are candidates SVHCs under the EU REACH Regulation (EC) 1907/2006. Check echa.europa.eu/scip-database for the latest information.



support.smarttech.com
support.smarttech.com/contact-support

© 2024 SMART Technologies ULC. All rights reserved. SMART Board, smarttech, the SMART logo and all SMART taglines are trademarks or registered trademarks of SMART Technologies ULC in the U.S. and/or other countries. All third-party products and company names may be trademarks of their respective owners. Contents are subject to change without notice. This product and/or use thereof covered by one or more of the following U.S. patents: smarttech.com/patents. Other patents pending. 01/2024.

SMART

1040829 Rev 05

kb 171909