

## Double column trolley

- ▶ High quality electric lift
- ▶ Perfectly suited for export, public tenders and the education market
- ▶ Supplied as a self-assembly kit
- ▶ Assembled in max. 15 minutes
- ▶ 4 robust braked swivel castors with  $\varnothing$  100 mm
- ▶ Also suitable for primary schools in lowest position
- ▶ Ships @ max. 20 products per pallet



Max. 100 kg



Black



103 - 168 cm



65 cm



Safety Stop



VESA (W x H)

800 x 600

800 x 400

700 x 400

600 x 400

600 x 230

600 x 200

500 x 400

456 x 400

400 x 400

400 x 300

400 x 200

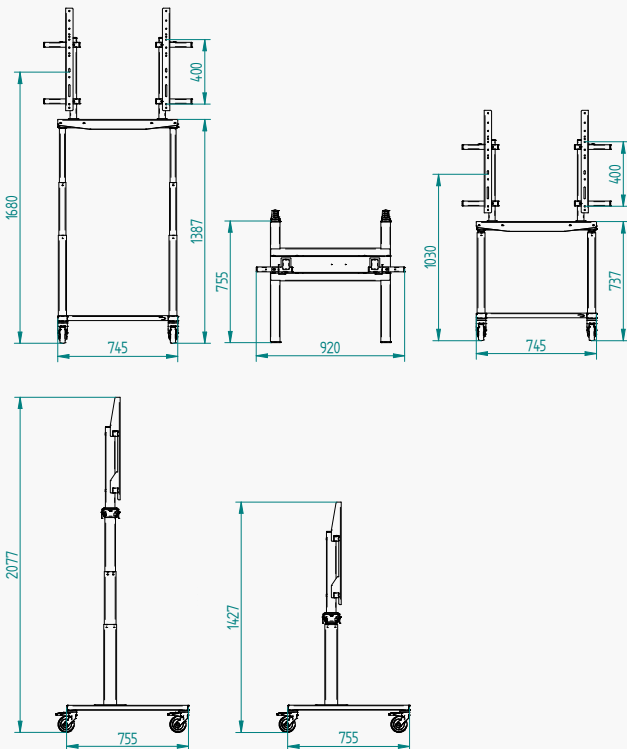
300 x 400

300 x 300

200 x 400

200 x 200

### Technical drawing



### Packaging

